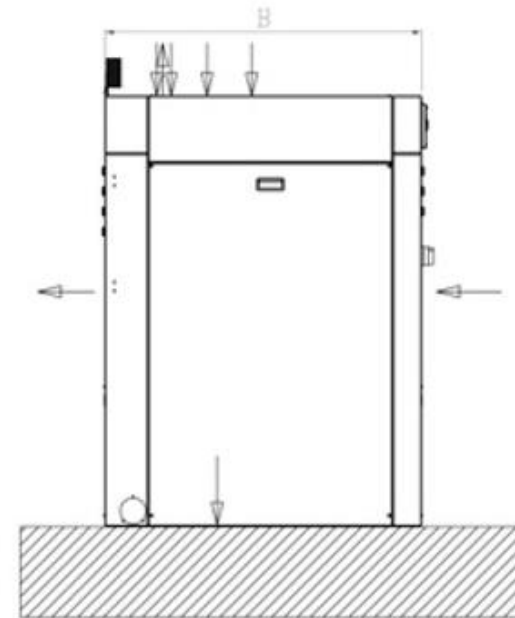
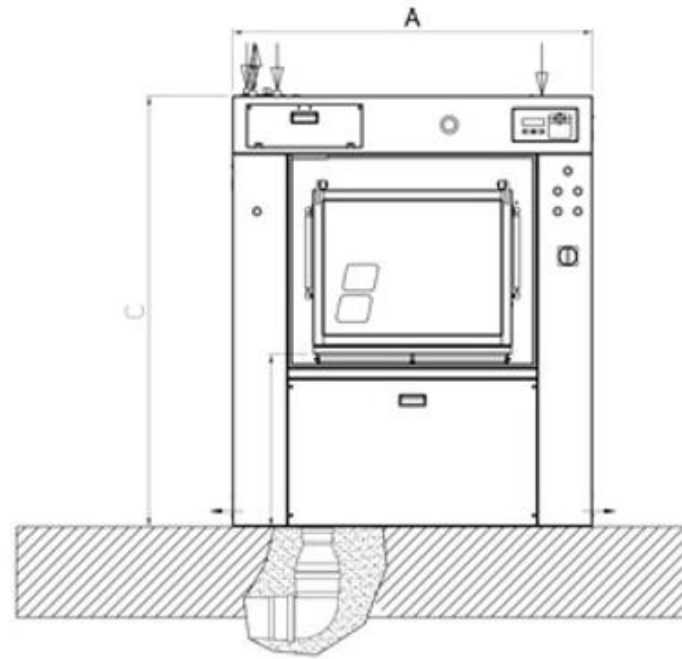
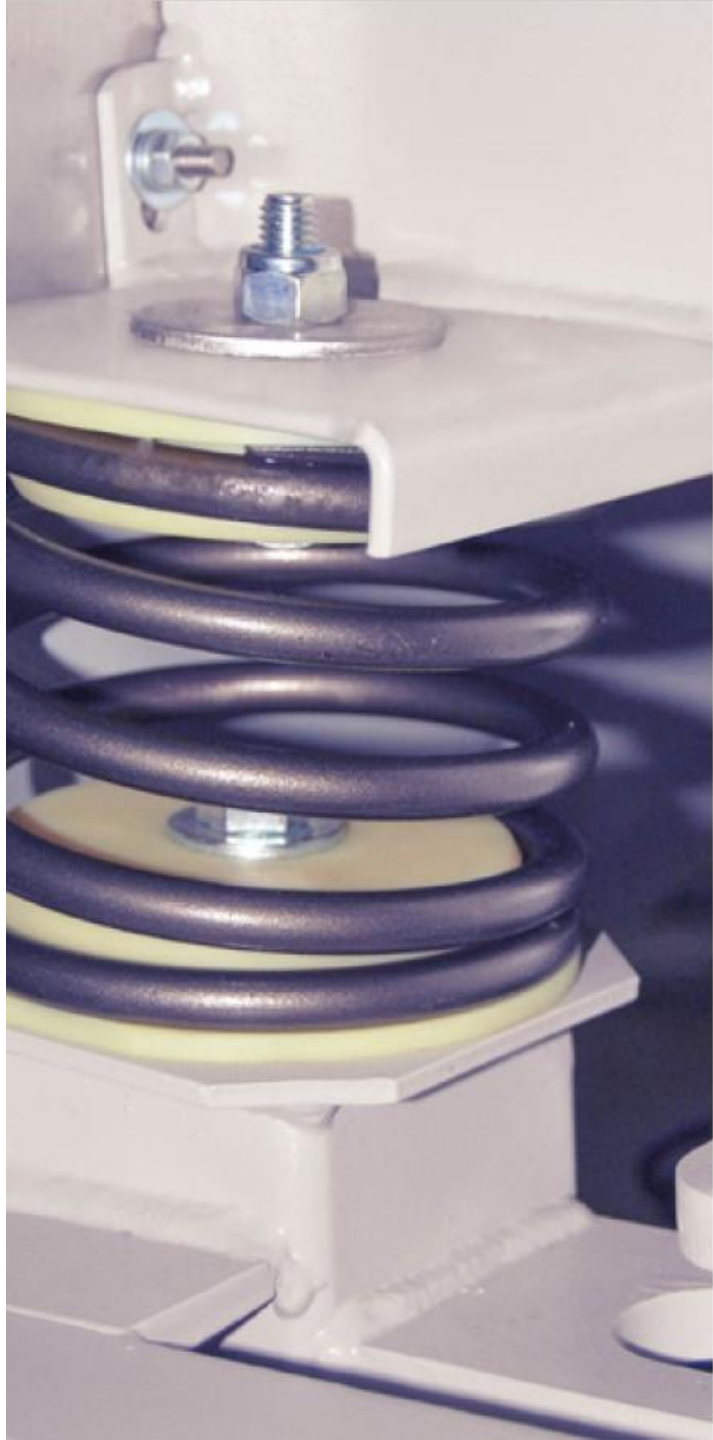




Barrier washer extractors PCHS (Simple) 162, 262





BARRIER WASHER EXTRACTORS

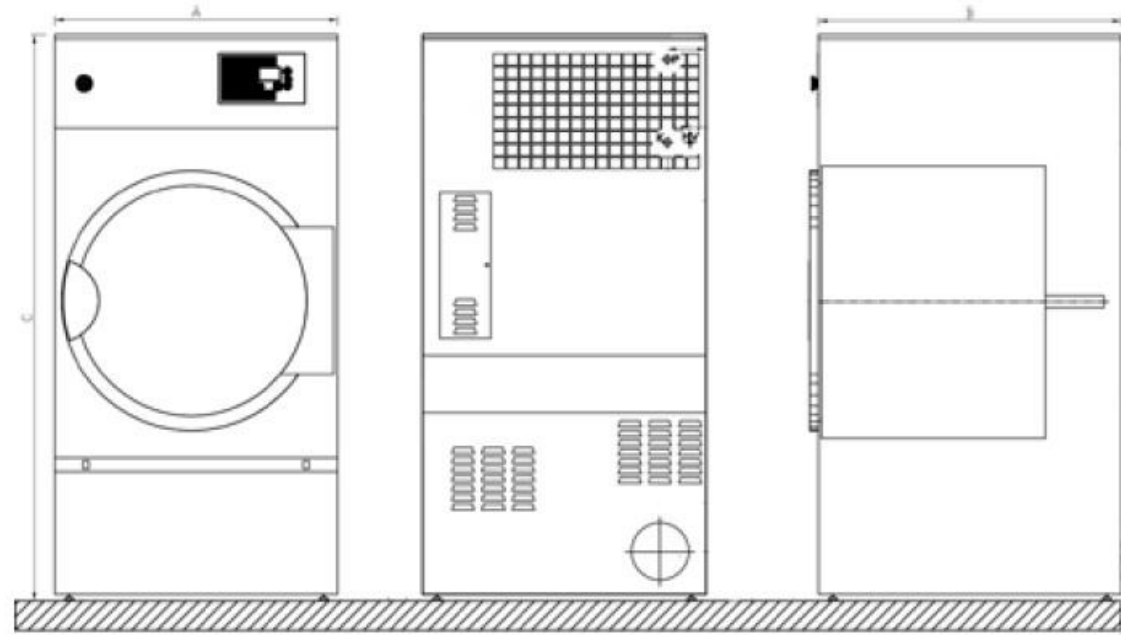
Barrier washer extractors PCHS (simple) 162, 262

Features:

- + version without the use of compressed air
- + capacity of 16 and 26 kg
- + automatic outer door locking system and positioning of the drum
- + frequency controlled motor
- + freely programmable control
- + flexible functioning because of inbuilt springs
- + 1-compartment inner drum
- + machine housing of plastified SKINPLATE material or INOX steel (quality AISI 304)
- + inner and outer drum made of INOX steel material (quality AISI 304)

Model	162	262
Country of origin	EU Slovenia	EU Slovenia
Dimensions (mm)		
“A”	1080	1250
“B”	980	1100
“C”	1593	1668
Weight (kg)		
Net	660	775
Capacity (kg), 1:10	16	26
Drum volume (l)	160	260
Drum diameter (mm)	680	800
Spin speed (rpm)	990	915
G-Factor	373	375
Heating (kW)		
Electrical	15	24
Steam	30	50

Dryers ST 11, 16, 23, 28, 33





DRYERS

Dryers ST 11, 16, 23, 28, 33

Features:

- + freely programmable electronic controller
- + Axirad Airflow, new system of mixed axial-radial air-flow
- + reverse drum on all models as standard
- + the drum and the filter are made of stainless steel (AISI 304 stainless steel)
- + large filter made of stainless steel (INOX AISI 304) is easily accessible and easy to maintain
- + robust construction

Model	ST 11	ST 16	ST 23	ST 28	ST 33
Country of origin	EU Slovenia	EU Slovenia	EU Slovenia	EU Slovenia	EU Slovenia
Dimensions (mm)					
"A"	785	785	890	985	985
"B"	830	1100	1230	1044	1200
"C"	1694	1694	1812	1946	1946
Weight (kg)	172	187	210	230	260
Net	11	16	23	28	33
Capacity (kg), 1:20	750	750	855	947	947
Drum volume (l)	210	330	460	550	660
Drum diameter (mm)					
Heating (kW)	12	18	24	30	36
Electrical	30	30	49,2	50,1	50,1
Steam	20,51	20,51	20,51	31	41
Gas	20,51	20,51	31	41	41