



SPEED QUEEN® COMMERCIAL LAUNDRY SOLUTIONS

Single Dryer

SDEBXRGS303ZW01

Built for Reliable Performance

Speed Queen's dryer, defined by its simplicity and its performance, provides everything you need to get the job done - and nothing you don't. Speed Queen's single load dryers combine heavy-duty construction with reliable operation proven to stand the test of time. They're designed with less moving parts for one reason: so you'll face fewer maintenance problems and less wear and tear down the road. Speed Queen's dryers provide the perfect balance of heat, airflow and tumble action for optimal performance and efficiency.

- Integrated meter case
- Industry's largest door opening 2.06 sq. ft. (1914 cm²)
- Quiet, efficient blower system
- Door is reversible for installation flexibility
- High efficiency exhaust blower with superior airflow 220 cfm (105 liters/sec)
- 100% serviceable from the front
- Space-saving narrow cabinet 26.875" (683 mm)
- Upfront lint filter easy to clean and secured
- Durable galvanized steel cylinder
- Large capacity meter case standard

Control

MDC / MDC II Micro

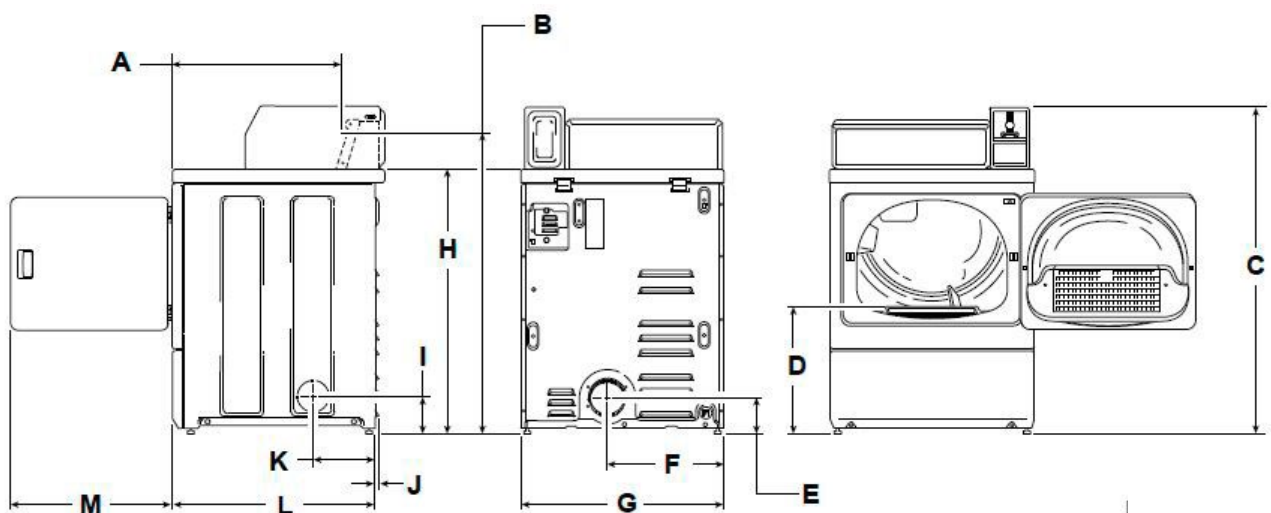
Our Micro-Display Control (MDC) clearly displays the vend price and keeps customers informed throughout the drying process with cycle status lights and a digital cycle countdown. Interfacing with a variety of aftermarket card reader systems, coin mechanisms and central payment systems, MDC offers many cycle selections and basic audit features.



Speed Queen Single Dryer

SDEBXRGS303ZW01

Specifications	SDEBXRGS303ZW01
Cylinder	
Capacity - kg (lb)	10,5 (23)
Cylinder Finish	Galvanized Steel
Cylinder Volume - l	198
Cylinder Diameter - mm	661
Programmer	
Control Type	Micro-Display Control (MDC)
Control Location	Rear
Cabinet	
Color	White
Door Type	Solid
Door Opening Diameter - mm	534
Height under door - mm	381
Heating	
Heating source	Electric
Heating element	5350W
Connections	
Air Outlet Diameter - mm	102
Air flow - cfm	220
Power	
Motor Power - kW	0,248
Electrical Requirements - V/Hz/Phase	220-240/50/1
Transport Data	
Dimensions H×W×D - mm	1115×683×722
Packaged Dimensions H×W×D - mm	1156×775×864
Packaged Volume - l	773



	A	B	C	D	E	F	G	H	I	J	K	L	M
mm	560	970	1115	392	102	391	683	914	114	10	203	711	597