



FRONT-LOAD WASHER EXTRACTORS PCF 111, 141, 171

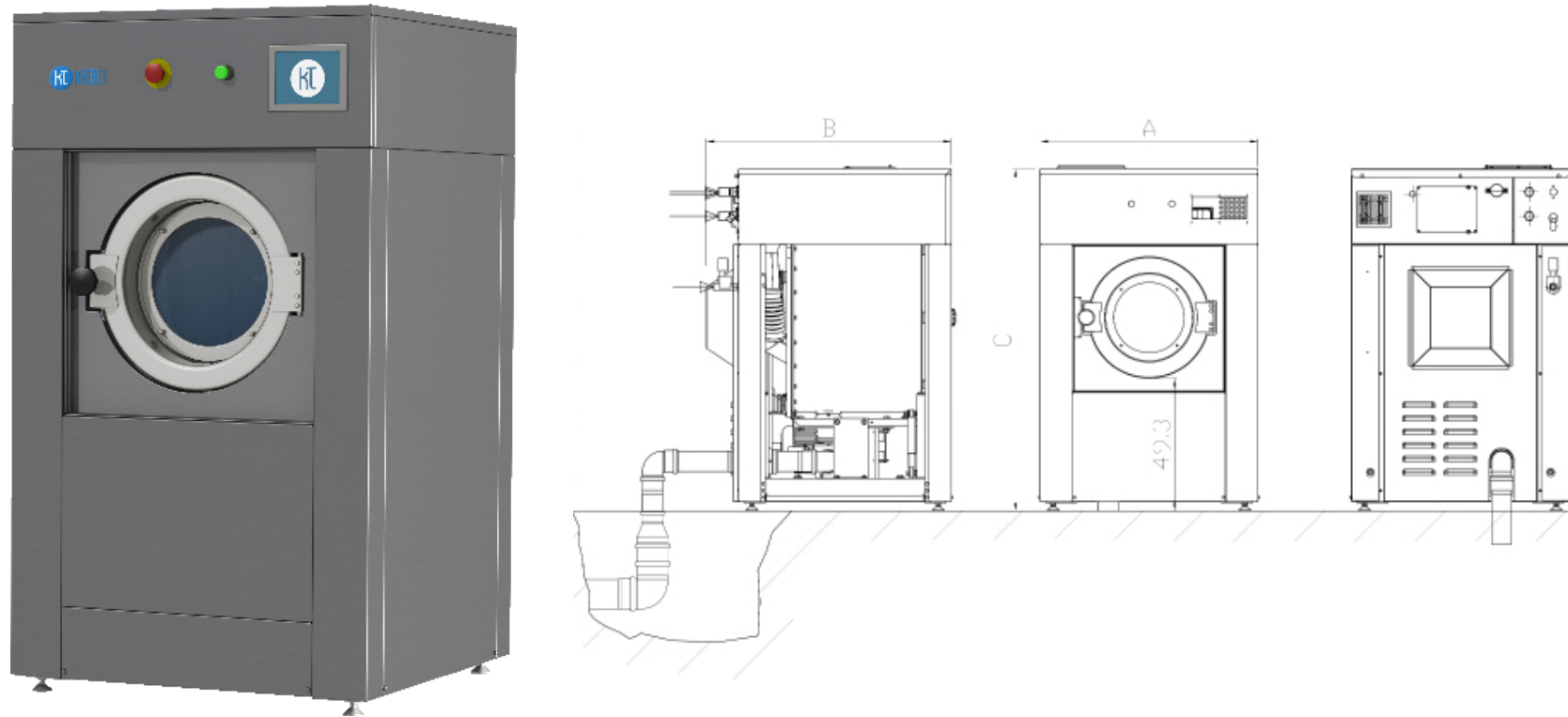
Washer extractors PCF 111, 141, 171 are high spin front-load washing machines with a capacity of washing from 11 to 17 kg.

Features:

- + front-loading design
- + free-standing
- + high spin speed
- + freely programmable control
- + INOX AISI 304
- + frequency driven motor
- + robust construction
- + suspension with shock absorbers (minimum vibration)
- + COOL DOWN system to prevent thermal shock of fabrics
- + one side clamped inner drum
- + predisposition for liquid dosing connection

Model	111	141	171
Country of origin	EU Slovenia	EU Slovenia	EU Slovenia
Dimensions (mm)			
“A”	810		
“B”	810	911	996
“C”	1380+(0-40)		
Net Weight (kg)	370	395	405
Capacity (kg), 1:10	11	14	17
Drum volume (l)	110	140	170
Drum diameter (mm)	620		
Spin speed (rpm)	1000	1000	930
G-Factor	346	346	300
Heating (kW)			
Electrical	9	12	15
Steam	30		

Front-load washer extractors PCF 111, 141, 171





FRONT-LOAD WASHER EXTRACTORS PCF 251, 321

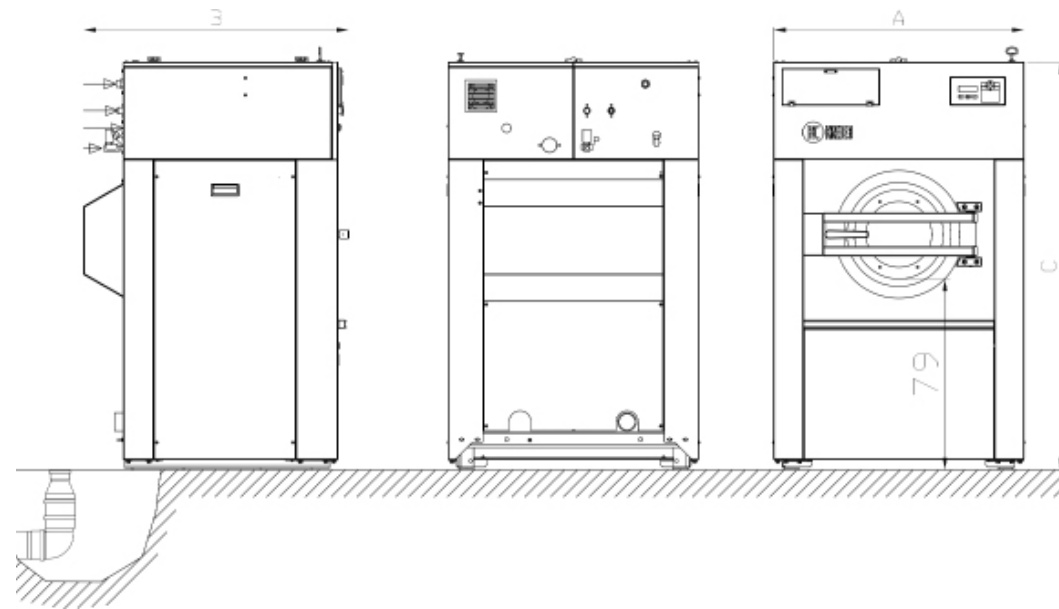
Washer extractors PCF 251, 321 are high spin front-load washing machines with a capacity of washing of 25 and 32 kg.

Features:

- + front-loading design
- + free-standing
- + high spin speed
- + freely programmable control
- + INOX AISI 304
- + frequency driven motor
- + robust construction
- + suspension with shock absorbers (minimum vibration)
- + COOL DOWN system to prevent thermal shock of fabrics
- + one side clamped inner drum
- + predisposition for liquid dosing connection

Model	251	321
Country of origin	EU Slovenia	EU Slovenia
Dimensions (mm)		
“A”	1030	
“B”	1090	1210
“C”	1678	
Net weight (kg)	775	820
Capacity (kg), 1:10	25	32
Drum volume (l)	250	320
Drum diameter (mm)	800	
Spin speed (rpm)	1000	
G-Factor	448	
Heating (kW)		
Electrical	24	
Steam	40	

Front-load washer extractors PCF 251, 321





FRONT-LOAD WASHER EXTRACTORS PCF 452, 552

Washer extractors PCF 452, 552 are high spin front-load washing machines with a capacity of washing of 45 and 55 kg.

Features:

- + front-loading design
- + free-standing
- + high spin speed
- + freely programmable control
- + INOX AISI 304
- + frequency driven motor
- + robust construction
- + suspension with shock absorbers (minimum vibration)
- + COOL DOWN system to prevent thermal shock of fabrics
- + one side clamped inner drum
- + predisposition for liquid dosing connection

Model	452	552
Country of origin	EU Slovenia	EU Slovenia
Dimensions (mm)		
"A"		1455
"B"	1365	1550
"C"		1850
Net weight (kg)	1580	1712
Capacity (kg), 1:10	45	55
Drum volume (l)	450	550
Drum diameter (mm)		914
Spin speed (rpm)	940	890
G-Factor	452	405
Heating (kW)		
Electrical		36
Steam		80

Front-load washer extractors PCF 452, 552

